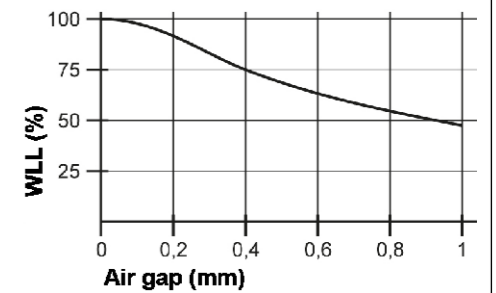
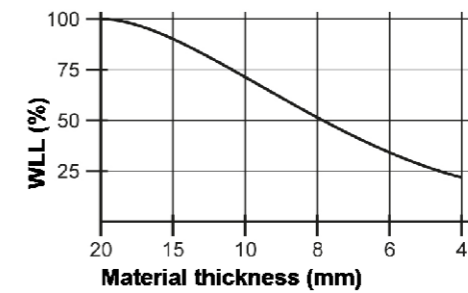
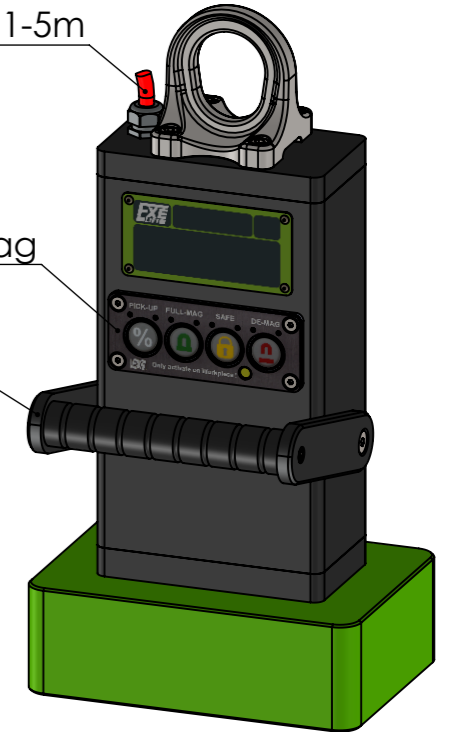


2m Cable/  
optional Spiral cable 1-5m

Front board control panel  
Pick-Up/Full-Mag/Safe/De-Mag

Adjustable handle



**Specification FXE 500-50+**

Nominative Force: 22,8kN	lifting capacity EN 13155/WLL
Materialthickness >15mm (100%)	WLL= 500kg
3,5kVA	
U: 380-480V Pulse	Protection Class IP 65
R: 7,8Ω	Protectiv Earth SK I

**Max. Load capacity at sheets and 4-edge pipes**

T material thickness	Lmax (mm)	Wmax (mm)	Wll (kg)
>=4mm	1800	1500	100
>=6mm	2000	1500	200
>=8mm	2000	1500	300
>=10mm	2000	1500	400
>=15mm	2000	1500	500

Schutzvermerk nach DIN ISO 16016 beachten!  
Nachdruck nur mit unserer Genehmigung!  
All rights reserved according to DIN ISO 16016!  
Reprint with our permission only!

	tolerance	material:	weight: 34.00
	ISO 7168 M	drawing no.:	0015479
	date	name	description: <b>FXE 500-50+</b>
drawn	28.08.2023	TW	
edit	20.10.2023		
appr.	20.10.2023	TW	

**FLAIG**  
Magnetsysteme  
www.flraig-te.de

part no.:	10600511	sheet	1 / 1
scale:	1:3	Status:	Freigegeben